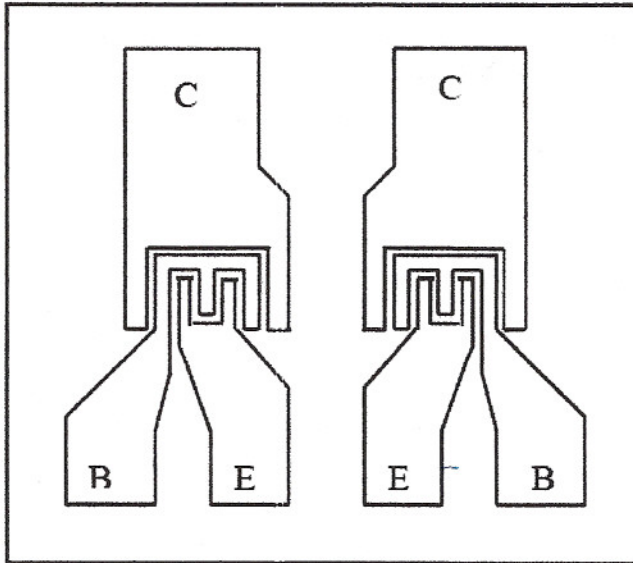




Sierra Components, Inc.

2222 Park Place Building 3 Suite E • Minden, Nevada 89423
 Phone: 775.783.4940 Fax: 775.783.4947

E = EMITTER
C = COLLECTOR
B = BASE



The information given is believed to be correct at the time of issue.

Please verify your requirements prior to commencement of any assembly process, as no liability for omission or error can be accepted.

Chip back potential is the level at which bulk silicon is maintained either by bond pad connection or in some cases the potential to which the chip back must be connected if stated above.

Note: 1 mil = 0.001inch

<p><u>APPROVED</u></p> <p>Jon Heaton</p> <p>.....</p> <p>DATE: 21/11/2005</p>	<p>2N4044</p> <p>LINEAR SYSTEMS</p>	<p><u>DIE INFORMATION</u></p> <p>DIMENSIONS (Mils): 26 x 29 x 8 mils BOND PADS (Mils): MASK REF: GEOMETRY: BACK POTENTIAL:</p>
<p><u>SERIAL NUMBER</u></p> <p>006674A</p>		<p><u>METALLISATION</u></p> <p>TOP: Al BACK: Au</p>